


PRODUCT SHEET

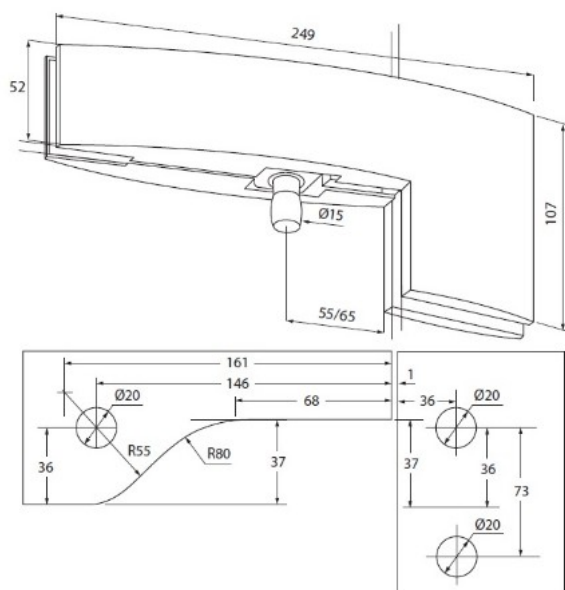
Description:

Overpanel Corner Fitting "Lex" 52x249x107mm, Brushed SS-304 Cover, 10-12mm Glass, w/2pcs. 1mm & 2 pcs. 2mm Gaskets, (Not Glued)

Item number:

17.87.327-0

Units	Box	Carton	HS Code	Barcode
Pcs.		10	8302415000	
				5704866453004



SISO A/S

Mileparken 11
DK-2740 Skovlunde
Denmark
VAT: DK 24786013

Phone +45 45 830 900

www.siso.dk
siso@siso.dk

Danske Bank
Nytorv Branch
Copenhagen
SWIFT: DABADKKK

Account no.
4180 3112 112936
IBAN Account
DK7230003112112936